

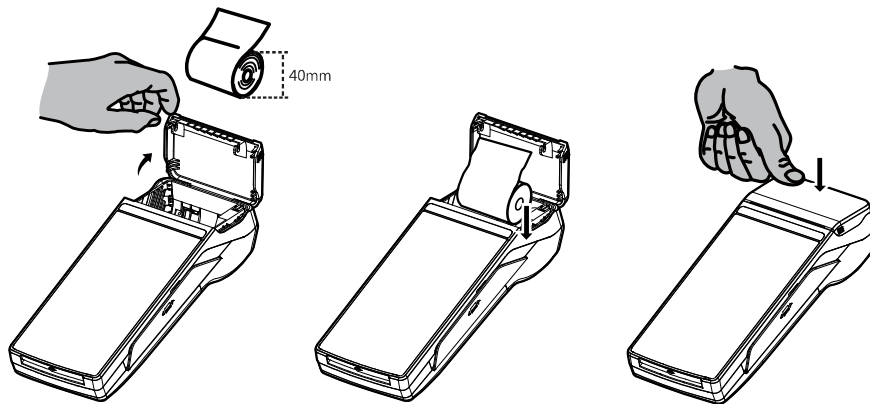
# Saturn1000F2

## 1 Package Content

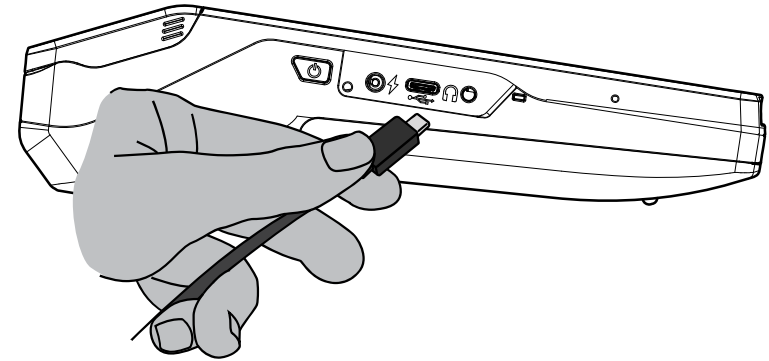
### Saturn1000F2 Package Content

1. Rechargeable Battery
2. Saturn1000F2 device
3. 5V/2A Adapter

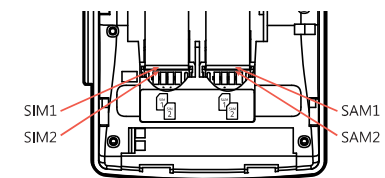
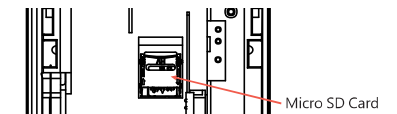
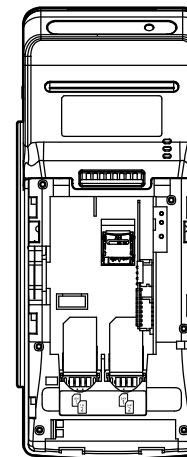
## 2 Installation - Paper Roll



## 3 Power On

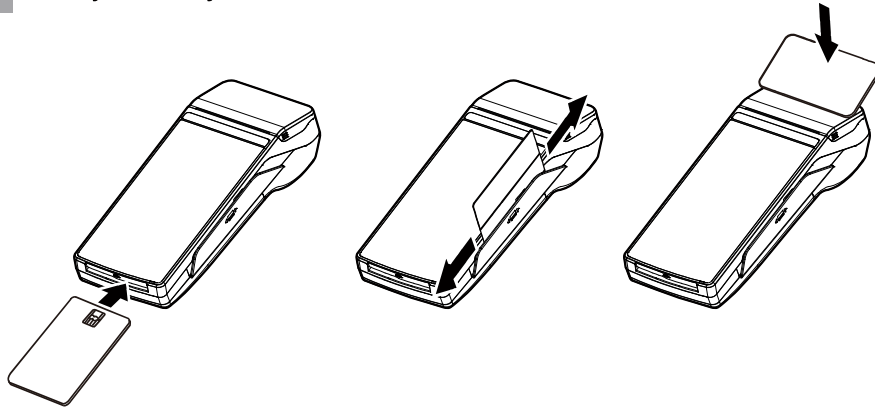


## 4 Hardware Review



# Saturn1000F2

## 5 ICC, MSR, Contactless Reader



Dimensions	200 x 78 x 56 (mm)		
Environment	Temperatures	Operation	-10°C to 50°C
		Storage	-20°C to 70°C
	Humidity	Operation	5% to 90% non-condensing
		Storage	5% to 90% non-condensing
Power Supply	5V/2A		

## 6 Product Outlook



At the end of its working life, this product must not be disposed of as urban waste.

It must be taken to a special local authority differentiated waste collection center or the dealer providing this service.

This product is marked with a statutory crossed-out wheeled dustbin as a reminder of the need to dispose electrical appliance separately.

Disposing of electrical appliance separately avoids possible negative consequences for the environment and health deriving from inappropriate disposal and enables the constituent materials to be recovered to obtain significant savings in energy and resources.

Safety recommendations:

Only use the power supply provided with the Saturn1000F2, use of any other power source is strongly not recommended.

To prevent risk of electric shock:

Do not expose the Saturn1000F2 to rain or moisture.

Call a qualified technician for servicing (the Saturn1000F2 does not contain any user serviceable part).

If the Saturn1000F2 breaks down due to drop accidentally, please disconnect the Saturn1000F2 and call the maintenance center for assistance.

This Saturn1000F2 will auto power on while plug in the power connector. If you want to turn off the Saturn1000F2, please enter system menu and select power off item, or unplug the power connector directly.